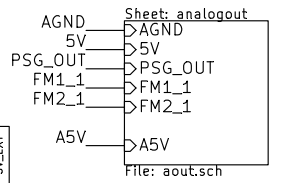
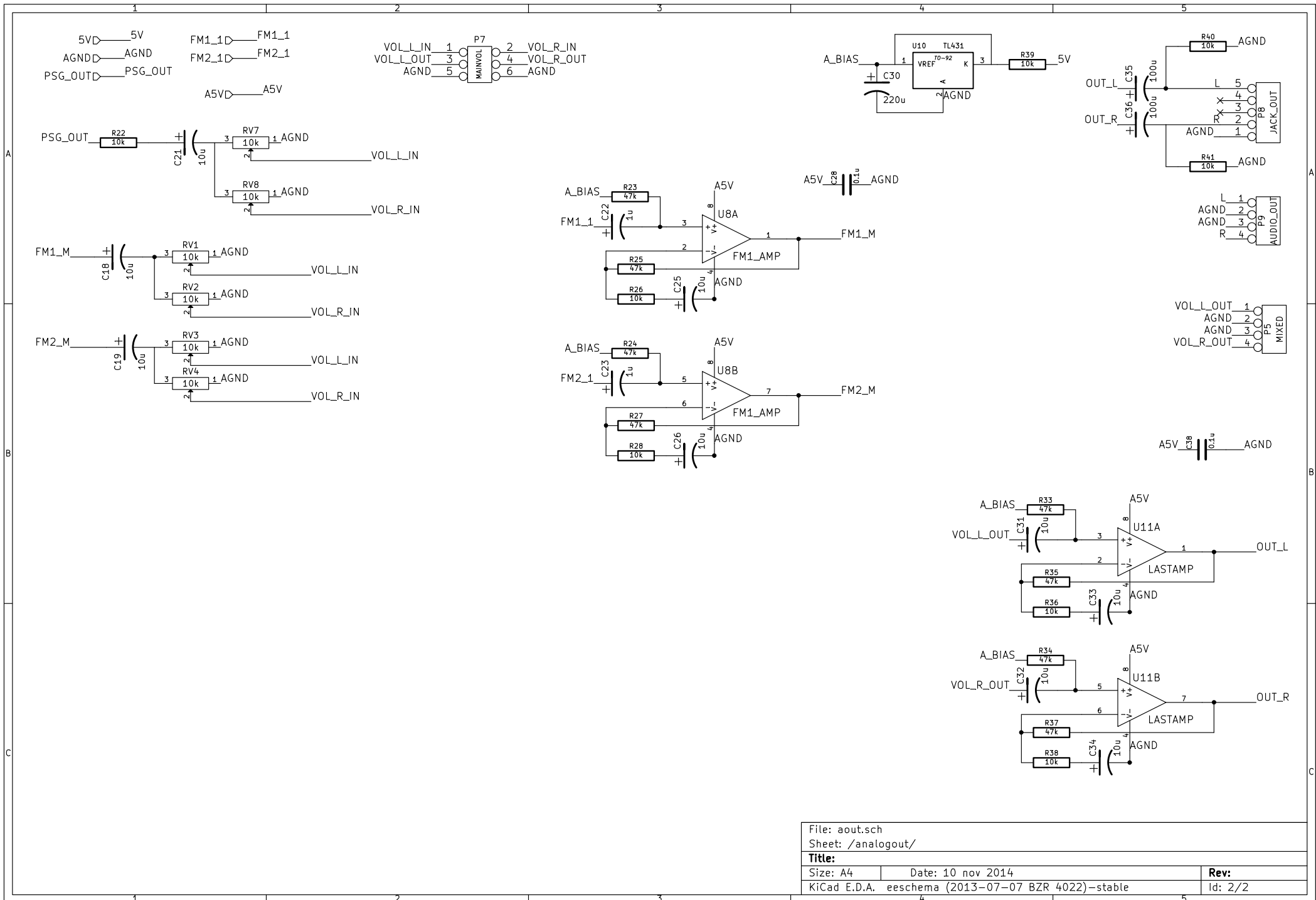


Designed by BouKiCHI	
File: ayb01.sch	
Sheet: /	
Title: AYB01	
Size: A4	Date: 10 nov 2014
KiCad E.D.A. eschema (2013-07-07 BZR 4022)-stable	Rev: 1
	Id: 1/2





File: aout.sch
 Sheet: /analogout/
Title:
 Size: A4 Date: 10 nov 2014
 KiCad E.D.A. eschema (2013-07-07 BZR 4022)-stable
Rev: 2/2